

CITYBAC® STATIONARY BIN BARCELONA 2200



SULO®

Citybac® Stationary Bin Barcelona 2200

DESIGNED FOR PEOPLE



The attractive allrounder integrates perfectly into urban cityscapes

Due to its aesthetic functionality Barcelona has gained the sympathy of users not only in Spain but all over the world.

- Maximal collection volume for lateral emptying
- Reworked design, that adds to a homogenous image of city furniture
- Optimised picking for improved productivity of waste collection
- One-man-emptying
- Improved accessibility for all people
- Less noise pollution
- Easy maintenance, mechanised washing
- Resistant to decay, frost, heat and many chemicals
- Special UV-stabilisation provides excellent ageing characteristics
- Metal elements are made of carbon steel and protected against corrosion
- Conforms to UNE - EN 12574 - 1/2/3 standard and meets all dimensional, safety and hygiene requirements
- Eco friendly, made of recyclable HDPE



DISABILITY ACCESS



LATERAL

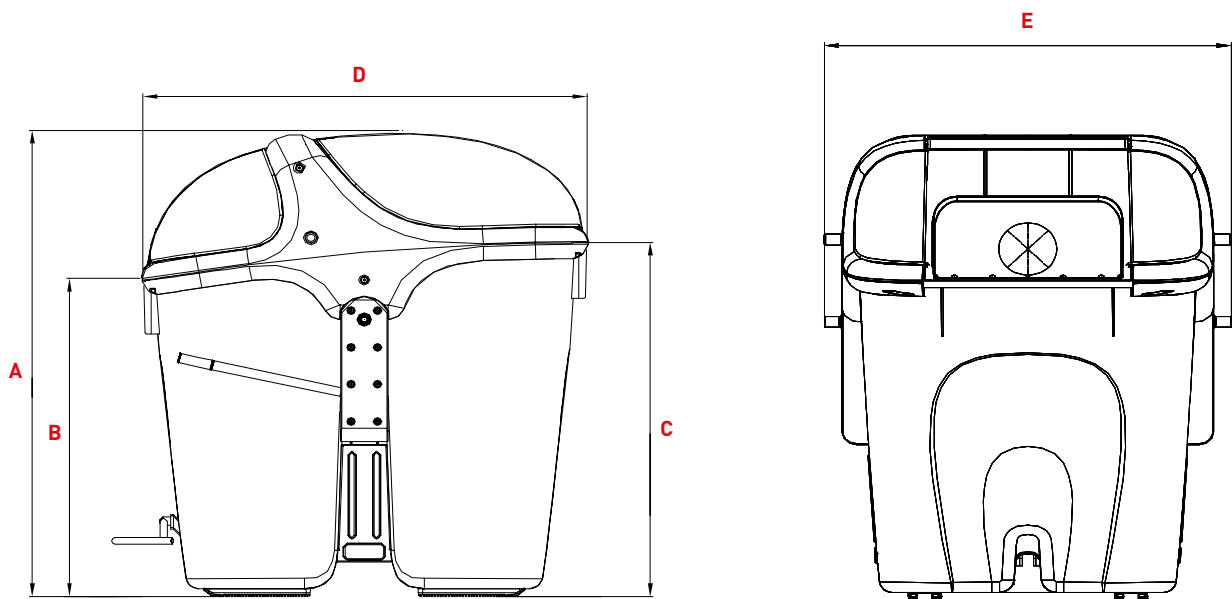


100 % RECYCLABLE



LEVEL MEASUREMENT





BARCELONA 2200

Dimensions (mm)

A Height total ~	1755
B Height - throw-in side ~	1200
C Height - rear ~	1340
D Depth total ~	1520
E Width total - incl. trunnion ~	1260

Volumes

Nominal volume (kg)	880
Empty weight - incl. pedal and handle (kg) ~	120

Citybac® Stationary Bin Barcelona 2200

PRODUCT DETAILS

BODY COLOUR



GREY
RAL 7037



TRAFFIC GREY
RAL 7043

LID COLOUR



GREY
RAL 7038



BROWN
RAL 8024



BLUE
RAL 5005



YELLOW
RAL 1018



GREEN
RAL 6032

BELT COLOUR



DARK GREY
RAL 7011



LIGHT GREY
RAL 7038



BROWN
RAL 8024



BLUE
RAL 5005



YELLOW
RAL 1018



GREEN
RAL 6032

Colours may vary due to production. The colour values given according to RAL are guide colours.



LID OPENINGS

The BARCELONA 2200 bin is available with different lid openings for the major waste fractions, like paper/cardboard (throw-in: 500 x 190 mm), glass, packaging (throw-in: 410 x 275 mm), organic waste (throw-in: 500 mm) and residual waste (throw-in: 500 mm)



SPACE FOR CUSTOMISATION

Large space for screen printing on the body of the bin: 300 x 300 mm



BIN IDENTIFICATION

Barcelona provides as standard a standardised and protected housing for LF or HF transponders, offering many advantages for the container maintenance service: recording of unloading and/or washing services, associated equipment, date, time, etc.



CONTAINER CENTRING DEVICE

Simplifies the putting back of the bin.



FOOT PEDAL WITH 2 POSITIONS

To adapt to any location of the bin. Minimal effort to open the lid. Non-slip. Maximum safety and hygiene for the user.



ERGONOMIC HANDLE

Minimum effort to open the lid. Easy to clean.



UNIVERSAL ACCESSIBILITY

Identification of fractions for the blind with reliefs on the front of the body.

sulo.com

DATA-BARCELONA-2200-EN-1-0-201221

SULO[®]