

**DATASHEET**

# **CITYBAC®**

# **STATIONARY BIN**

## **ICON 3000**



**SULO®**

# Citybac® Stationary Bin Icon 3000

## BIG VOLUME, SIDELOAD EMPTYING



The new generation combines technology, future and sustainability

**This stationary CITYBAC® with a superb design combines the advantages of big volume collecting and lateral emptying by sideloader.**

- One of the most popular ways of waste sorting and collecting - especially in Spain
- Designed in full compliance with Spanish Standard UNE-EN12574-1/2/3 and UNE 170001-1:2007.
- Resistant to decay, frost, heat and many chemicals
- Special UV-stabilisation provides excellent aging characteristics
- Equipped with smart zone for installation of electronical equipment
- Large space for personalization and graphic elements
- Improved safety because it provides a wide field of vision for pedestrians
- Ergonomic and easy to use, eg. ergonomic handle which minimizes the effort to open the lid
- Optional Access Control, easy to assemble
- Compatible with the main identification, management and data communication systems.



DISABILITY ACCESS



LATERAL

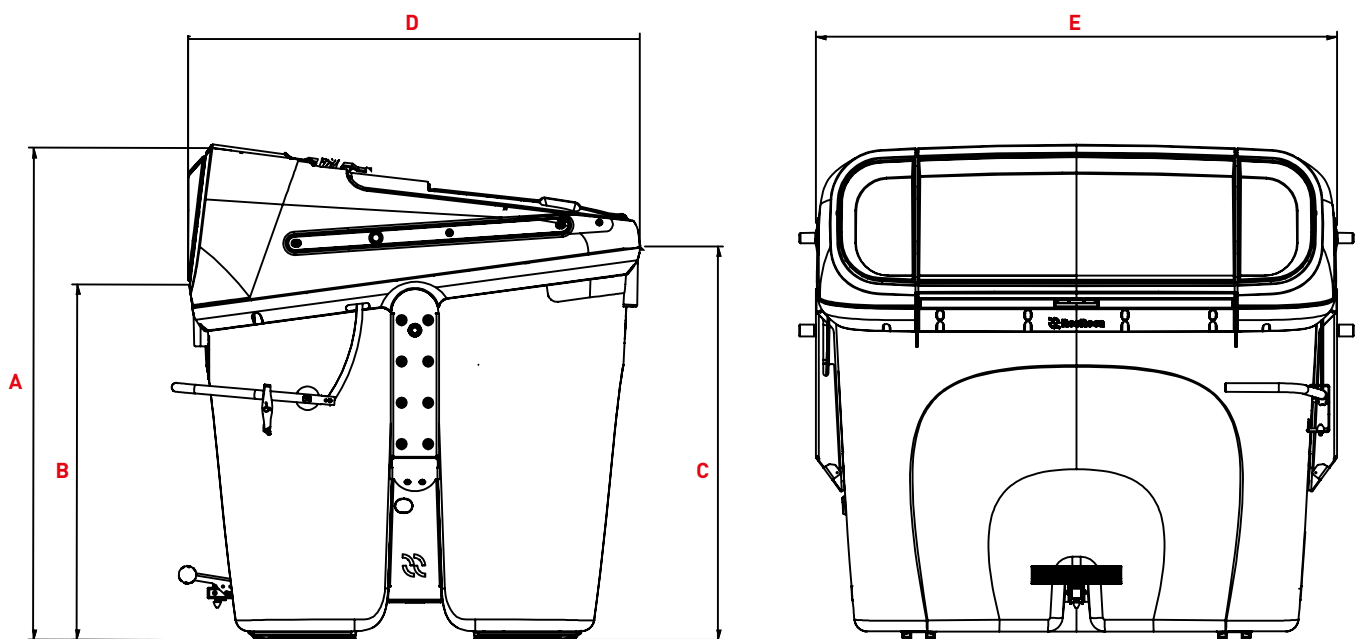


100 % RECYCLABLE



LEVEL MEASUREMENT





### ICON 3000

#### Dimensions (mm)

<b>A</b> Height total ~	1680
<b>B</b> Height - throw-in side ~	1205
<b>C</b> Height - rear ~	1355
<b>D</b> Depth total ~	1520
<b>E</b> Width total - incl. trunnion ~	1880

#### Volumes

Nominal volume (L)	3000
Empty weight - incl. pedal and handle (kg) ~	158

# Citybac® Stationary Bin Icon 3000

## PRODUCT DETAILS

### BODY AND LID COLOUR



GREY  
RAL 7037



TRAFFIC GREY  
RAL 9005

### COVER AND BELT COLOUR



GREY  
RAL 7037



LIGHT GREY  
RAL 7038



BROWN  
RAL 8024



BLUE  
RAL 5005



YELLOW  
RAL 1018



GREEN  
RAL 6032

### BELT ECO COLOUR



DARK GREY  
RAL 9005

Colours may vary due to production. The colour values given according to RAL are guide colours.



**LID OPENINGS**

The ICON 3000 bin is available with different lid openings for the major waste fractions, like organic waste (throw-in: 1020 mm), residual waste (throw-in: 1020 mm), packaging (throw-in x2: 300 x 300 mm) and paper/cardboard (throw-in: 900 x 170 mm)



**SPACE FOR CUSTOMISATION**

Large space to apply graphic elements at an ergonomically optimal height. Three customisation options: monochrome screen printing, coloured vinyl and 100 % integrated design on the entire surface using the thermoformed flat vinyl system.



**MINIMAL LID INVASION**

The path of the lid allows good interaction with the user. It has a wide opening for easy insertion of the waste.



**SMART ZONE**

Two areas protected and isolated from dirt and liquids with easy access from the sides of the lid for safe and practical installation of all electronic systems.



**FOOT PEDAL WITH 5 POSITIONS**

To adapt to any location of the bin. Minimal effort to open the lid. Non-slip. Maximum safety and hygiene for the user.



**ERGONOMIC HANDLE**

Minimum effort to open the lid. Easy to clean.



**UNIVERSAL ACCESSIBILITY**

Validated by ILUNION according to standard UNE EN 170001. Universal accessibility covers the entire range in capacities and fractions.



**DIAMOND LIFTING SYSTEM**

It has a double metal housing fixed against the container unloading wall.



**BIN IDENTIFICATION**

ICON provides as standard a standardised and protected housing for LF or HF transponders, offering many advantages for the container maintenance service: recording of unloading and/or washing services, associated equipment, date, time, etc.



**INTEGRATED LOCKING SYSTEM**

Mechanism integrated into the side of the bin. Easy assembly. 100% isolated from the waste. No user access. Compatible with the main identification, management and data communication systems.

**sulo.com**

DATA-ICON-3000-EN-1-0-201221

**SULO®**