

CITYBAC®

120L



SULO®

Citybac® 120L

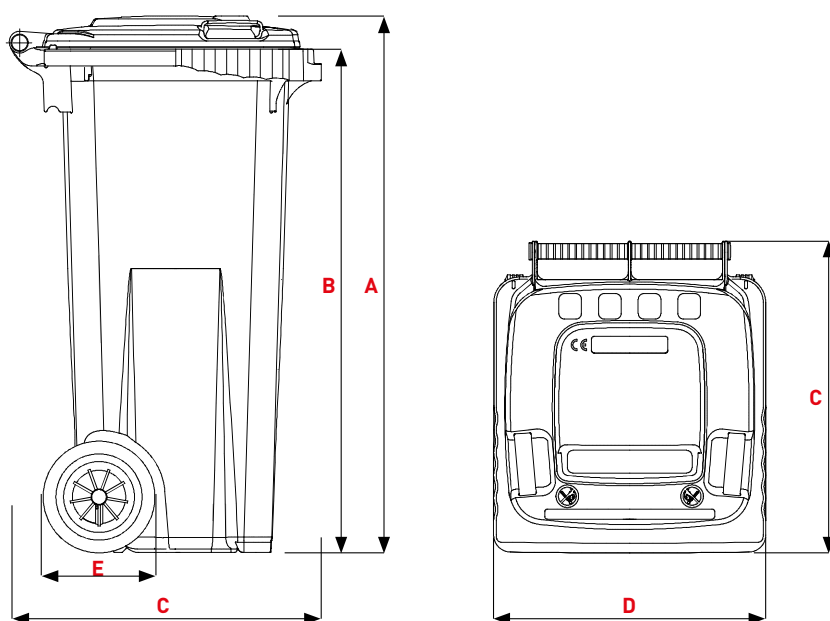
PRODUCT DETAILS



- 1 Standard Lid
- 2 Handles 2x
- 3 Lid rivet 2x
- 4 Marking areas

- A Body reinforced with beads
- B Continuous handle bar
- C DIN comb lifting system, double stage
- D SULO sticker / Marking areas
- E External wheels
- F Chip nest as standard
- G Lateral grip surfaces with wave profile



**STANDARD LID****Dimensions (mm)**

A Height total ~	944
B Comb height ~	889
C Bin depth ~	558
D Width total ~	480
E Wheel diameter ~	200

Weights

Tubular axle	
Nominal volume (L)	120
Empty weight (kg) ~	7,2
Max. filling weight(kg) ~	48
Max. total weight (kg) ~	60

CLIP LID**Dimensions (mm)**

A Height total ~	954
B Comb height ~	889
C Bin depth ~	558
D Width total ~	480
E Wheel diameter ~	200

Weights

Tubular axle	
Nominal volume (L)	120
Empty weight (kg) ~	7,2
Max. filling weight(kg) ~	48
Max. total weight (kg) ~	60

Citybac® 120L

PRODUCT DETAILS

COLOURING

Bin bodies made from 100 % recycled material with a minimum of 60 % post-consumer recycled material.



GREY
RAL 7021
AT
ECO FRIENDLY
■ ■ ■ ■ ■ ■

Perfectly set in scene with coloured **lids** for fraction identification



GREY
RAL
7021
AT



GREEN
RAL
6011
VJ



BROWN
RAL
8025
MR



BLUE
RAL
5023
BN



YELLOW
RAL
1018
JA



RED
RAL
3000
RN

ALTERNATIVE COLOURS FOR THE BIN BODY



GREEN
RAL
6011
VJ
ECO FRIENDLY
■ ■ ■ ■ ■ ■



BROWN
RAL
8025
MR
ECO FRIENDLY
■ ■ ■ ■ ■ ■



BLUE
RAL
5023
BN
ECO FRIENDLY
■ ■ ■ ■ ■ ■



YELLOW
RAL
1018
JA
ECO FRIENDLY
■ ■ ■ ■ ■ ■

FRACTION MARKING



Clip available in the colours



Label for Clip Lid, individual printing possible

LID SLOT SYSTEMS

Glass



Round slot with rubber rosette
Ø 150 mm

Paper



Opening Slots
250 x 30 mm

NOISE REDUCTION SYSTEMS



Lid Opening Noise Reduction



Lid closing damper

WHEELS



Ø 200 mm Wheel

LOCKING SYSTEMS



Triangular Locks



Padlock Fixtures



Cylinder lock with automatic function



Cylinder lock without automatic function

Citybac® 2-Wheel

TECHNICAL INFORMATION

120 LITRE

MATERIAL OPTIONS

Extra UV protection



COLOURS

Standard colours



Other colours



LID SYSTEMS

Standard Lid



Clip Lid (EURO2)



Silent Lid



Label for Clip Lid, individual printing possible



LIFTING SYSTEMS

EN 840 / DIN Comb



LID SLOT SYSTEMS

Glass

Round slot with rubber rosette Ø 150 mm



Paper

Opening Slots 250 x 30 mm



Opening Slots 300 x 30 mm

Opening Slots 300 x 60 mm

Paper Inlet Hood Blue

NOISE REDUCTION SYSTEMS

Lid opening noise reduction



Lid closing damper



CHASSIS

Tubular axle



Full axle



WHEELS

Ø 200 mm



120 LITRE

LOCKING SYSTEMS

Padlock device 1x	■
Triangular Locks	
with open position	■
without open position	■
Cylinder lock without automatic function	
same key locking	■
group key locking	■
different key locking	■
Cylinder lock with automatic function	
same key locking	■
group key locking	■
different key locking	■

CHIP INSTALLATION

RFID chip, installation without barcode sticker	■
RFID chip, installation with barcode sticker	■

RFID CHIP

Transponder 134kHz HDX + HID Inlay casted	■
Transponder 134kHz FDX casted	■
Transponder 134kHz FDX riveted	■
Transponder 134kHz HDX + glass	■
Transponder 125kHz FDX casted	■
Transponder 125kHz FDX riveted	■
Transponder 13,56 MHz	■

LABELLING

Body

SULO sticker	■
Customer sticker	■
Hot foil stamping	■
Running numbers (colourless / black / white)	■

Lid

SULO sticker	■
Hot foil stamping	■
Running numbers (colourless / black / white)	■
Embossing insert	■
Print on Clip (Clip Lid)	■

■ Standard
■ Option

sulo.com

DATA-CITYBAC-120L-HF-EN-1-0-021221

SULO[®]