

CITYBAC®

180L



SULO®

Citybac® 180L

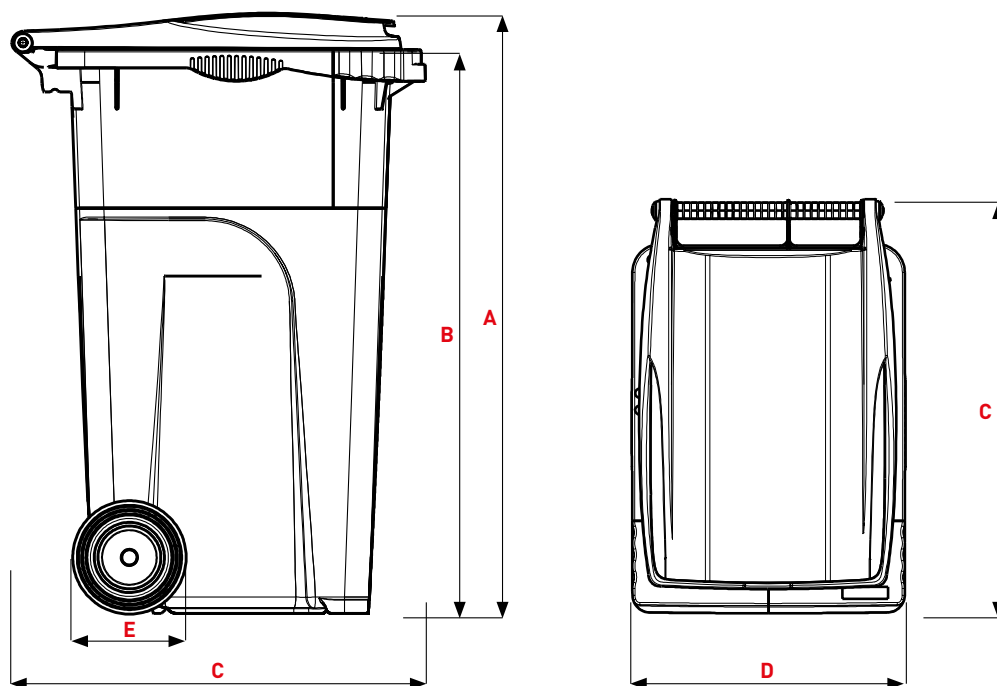
PRODUCT DETAILS



- 1 Design Lid
- 2 3-sided all-round handle strip
- 3 Marking areas

- A Body
- B Handle bar
- C DIN comb lifting system, double stage
- D Marking areas
- E External wheels
- F Chip nest as standard
- G Lateral grip surfaces





DESIGN LID

Dimensions (mm)

A Height total ~	1075
B Comb height ~	1000
C Bin depth ~	730
D Width total ~	480
E Wheel diameter ~	200

Weights

Nominal volume (L)	180
Empty weight (kg) ~	10,1
Max. filling weight (kg) ~ EN 840 Norm	72
Max. total weight (kg) ~	90

Dimensions may vary due to production conditions. The specified empty weights are rounded average based on the standard specifications. The actual weight may be different as a result of production conditions and specifications.

Citybac® 180L

PRODUCT DETAILS

COLOURING



ANTHRACITE GREY
RAL 7021
AT

CIRCULAR ECO 
■■■■■

Bin bodies made of up to 100 % post-consumption recycle. We are able to achieve an average share of 70 % domestic recycle (packaging, caps) and 30 % nondomestic (bins, industrial scrap, pallets)

100% RECYCLED MATERIAL



RAL 7021



RAL 7011



RAL 6011



RAL 6009



RAL 8025



RAL 5023

VIRGIN MATERIAL



RAL 9010



RAL 7038



RAL 5015



RAL 5005



PANTONE 5395C



RAL 3974GN



PANTONE 167 C



RAL 3000



RAL 3005



RAL 1018

ALTERNATIVE COLOURS FOR THE BIN BODY



GREEN
RAL
6011
VJ

CIRCULAR ECO 
■■■■■



BROWN
RAL
8025
MR

CIRCULAR ECO 
■■■■■



BLUE
RAL
5023
BN

CIRCULAR ECO 
■■■■■



RED
RAL
3000
RN

CIRCULAR ECO 
■■■■■



ORANGE
PANTONE
167 C
OF

CIRCULAR ECO 
■■■■■



YELLOW
RAL
1018
JA

CIRCULAR ECO 
■■■■■

Other colours and colour combinations available on request, subject to sufficient order quantities. Colours may vary due to production. The colour values given according to RAL are guide colours.

+ OPTIONS

FRACTION MARKING



Clip available in the colours



Label for Silent and Design Lid, individual printing possible

LID SLOT SYSTEMS

Packaging



Lid-in-Lid, small Lid always in **Yellow** RAL 1018

Glass



Round slot with rubber rosette Ø 150 mm, lock or bolt required

Paper



Paper hood for newspapers and magazines in **Blue** RAL 5023

NOISE REDUCTION



Plastic damper spring for the wheels

PARTITION



Butterfly Lid, dividing the bin horizontal to 40/60



Divider Wall - horizontal 40/60 or 50/50

ACCESSORIES



Fixed position

WHEELS



Lightweight, recycled and recyclable Ø 200 mm wheels



Solid rubber Ø 200 mm wheels



Solid rubber Ø 250 mm wheels

LOCKING SYSTEMS



Automatic lock with triangular key



Automatic lock with individual key



Automatic bolt



Manual lock with triangular key

Citybac® 2-Wheel

TECHNICAL INFORMATION

180 LITRE

LIFTING SYSTEM	
DIN COMB	■
LID TYPE	
Standard	
Silent	
Design	■
Butterfly horizontal	■
LID SLOT SYSTEMS	
Paper	Design
Slot for confidential paper	
Glass	Design
Packaging	Design
Household waste	Design
Clips	■
NOISE REDUCTION	
Plastic damper	■
LOCKING SYSTEMS	
Manual lock	Design
Automatic lock	Design
Automatic bolt	Design
Padlock device	■
DIVIDER WALL	
Vertical 40/60	
Vertical 50/50	
Vertical 60/40	
Horizontal 40/60	■
Horizontal 60/40	■

180 LITRE

180 LITRE	
HANDLES (NOT AVAILABLE ON MSTs)	
Side handle	■
WHEELS DIAMETER (HOLLOW OR SOLID AXLE)	
ø 200 mm	■
ø 250 mm	■
ø 300 mm	
ACCESSOIRES	
Lid opening via pedal	
Poste fixe	Design
ANTI-ODOUR	
Anti-odour	■
LABELLING	
Photo injection on the lid	Design
Sticker	■
Embossing insert on the lid	■
Hot foil stamping	■
IDENTIFICATION	
RFID Chip	■
Specific numbering	■

sulo.com

DATA-CITYBAC-180L-LA-EN-1-0-201221

SULO®