

CITYBAC® CLASSIC 770L



SULO®

Citybac® Classic 770L

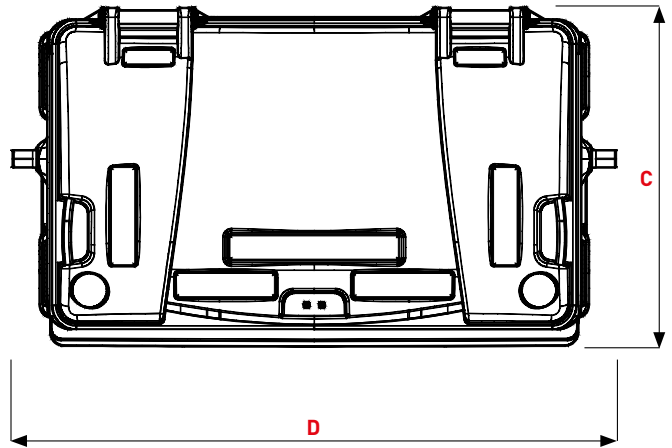
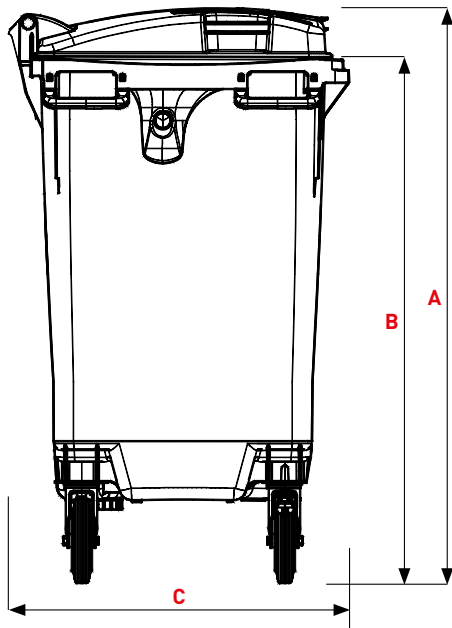
PRODUCT DETAILS



- 1 Flat Lid
- 2 Handle / recessed grip
- 3 Lid handles lateral 2x
- 4 Handles with handle bar, rear 2x
- 5 Marking areas

- A Body
- B DIN comb lifting system, double stage
- C Stacking ribs
- D SULO sticker / Marking areas
- E Ergonomic handles lateral 4x
- F Chip nest as standard
- G Lifting trunnion
- H Functional castors 2x
- I Double stop break 2x
- J Castors 2x





FLAT LID

Dimensions (mm)

A Height total ~	1365
B Upper comb edge ~	1240
C Bin depth ~	775
D Width total ~	1370

Weights

Nominal volume (L)	770
Empty weight (kg) ~	43
Max. filling weight (kg) ~	308
Max. total weight (kg) ~	360

Citybac® Classic 770L

PRODUCT DETAILS

COLOURING

Bin bodies made from 100 % recycled material with a minimum of 60 % post-consumer recycled material.



GREY
RAL 7021
AT

ECO FRIENDLY 


Perfectly set in scene with coloured **lids** for fraction identification



GREY
RAL 7021
AT



GREEN
RAL 6011
VJ



BROWN
RAL 8025
MR



BLUE
RAL 5023
BN



YELLOW
RAL 1018
JA



ORANGE
RAL 2008
OF



RED
RAL 3001
RN

ALTERNATIVE COLOURS FOR THE BIN BODY



GREEN
RAL 6011
VJ

ECO FRIENDLY 




BROWN
RAL 8025
MR

ECO FRIENDLY 




BLUE
RAL 5023
BN

ECO FRIENDLY 




YELLOW
RAL 1018
JA

ECO FRIENDLY 


+ OPTIONS

LID-IN-LID



small lid available in the colours



Lid-in-Lid

LID SLOT SYSTEMS

Glass



Round slot with rubber rosette
Ø 150 mm

Paper



Opening Slot
530 x 95 mm



Paper Inlet Hood
Blue

LIFTING SYSTEMS



Fork lift device



Lifting trunnions



Lateral handles 2x

HANDLES

TRANSPORT



Towing system

LID OPENING



Lid opening device,
foot execution

NOISE REDUCTION SYSTEMS



Lid Opening Noise
Reduction



Lid closing damper

CHASSIS



Plastic rim,
Rubber wheel
Ø 200 mm



Plastic rim,
Rubber wheel
Ø 200 mm,
non-marking



Steel rim,
ball bearing,
Rubber wheel
Ø 200 mm



Double stop (DS)



Central locking
device (ZF)



Steering lock

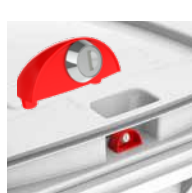
LOCKING SYSTEMS



Triangular Locks
with / without open
position



Padlock Fixtures



Cylinder lock with
automatic function



Cylinder lock without
automatic function

Citybac® 4-Wheel

TECHNICAL INFORMATION

770 LITRE

MATERIAL OPTIONS

Extra UV protection

COLOURS

Standard colours

Other colours

LID SYSTEMS

Flat lid

Flat lid with Lid-in-Lid (LiL)

LIFTING SYSTEMS

EN 840 / DIN DIN Comb

Lifting trunnions

Lifting handles 2x

Rear handles

Fork lift device

WATER DRAIN

Water drain

Without water drain

TRANSPORT

Towing system with or without bar

LID SLOT SYSTEMS

Packaging

Lid-in_lid 2x, small Lid only available in Yellow RAL 1018

Glass

2 x Round slot with rubber rosette Ø 150 mm

Paper

Paper slot: 530 x 95 mm

Paper Inlet Hood Blue

LID OPENING

Lid opening device, foot execution

NOISE REDUCTION SYSTEMS

Lid opening noise reduction

Lid closing damper

CHASSIS	
Plastic rim, Rubber wheel Ø 200 mm	■
Plastic rim, Rubber wheel Ø 200 mm, non-marking	■
Steel rim, ball bearing	■
Castor	■
Double stop (DS)	■
Central locking device (ZF)	■
Steering lock	■
LOCKING SYSTEMS	
Padlock device 1x	■
Padlock device 2x	
Triangular Lock	
with open position	■
without open position	■
Cylinder lock without automatic function	
same key locking	■
group key locking	■
different key locking	■
Cylinder lock with automatic function	
same key locking	■
group key locking	■
different key locking	■
CHIP INSTALLATION	
RFID chip, installation without barcode sticker	■
RFID chip, installation with barcode sticker	■
RFID CHIP	
Transponder 134kHz HDX + HID Inlay casted	■
Transponder 134kHz FDX casted	■
Transponder 134kHz FDX riveted	■
Transponder 134kHz HDX + glass	■
Transponder 125kHz FDX casted	■
Transponder 125kHz FDX riveted	■
Transponder 13,56 MHz	■
LABELLING	
Body	
SULO sticker	■
Customer sticker	■
Hot foil stamping	■
Running numbers (colourless / black / white)	■
Lid	
SULO sticker	■
Screen printing	
Hot foil stamping	■
Running numbers (colourless / black / white)	■
Embossing insert	■

■ Standard
■ Option

sulo.com

DATA-CITYBAC-770L-HF-EN-1-0-240223

SULO®