

DATASHEET

PRODUCT FAMILYNAME PRODUCTNAME



SULO®

Citybac® 240L

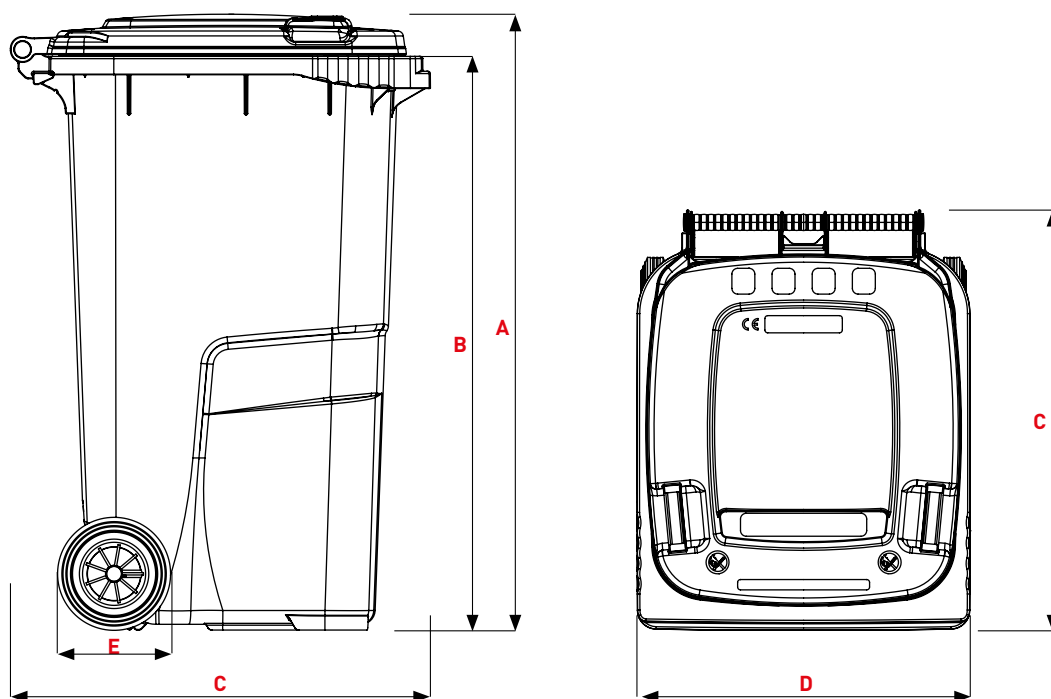
PRODUCT DETAILS



- 1 Standard Lid
- 2 Handles 2x
- 3 Lid rivet 2x
- 4 Marking areas

- A Body reinforced with beads
- B Continuous handle bar (split handle option production specific)
- C DIN comb lifting system, double stage
- D SULO sticker / Marking areas
- E External wheels
- F Chip nest as standard
- G Lateral grip surfaces with wave profile





STANDARD LID

Dimensions (mm)

A Height total ~	1068
B Upper comb edge ~	998
C Bin depth ~	734
D Width total ~	583
E Wheel diameter ~	200

Weights

Tubular axle	
Nominal volume (L)	240
Empty weight (kg) ~	10,2
Max. filling weight (kg) ~	96
Max. total weight (kg) ~	110

CLIP LID

Dimensions (mm)

A Height total ~	1077
B Upper comb edge ~	998
C Bin depth ~	734
D Width total ~	583
E Wheel diameter ~	200

Weights

Tubular axle	
Nominal volume (L)	240
Empty weight (kg) ~	10,2
Max. filling weight (kg) ~	96
Max. total weight (kg) ~	110

SILENT LID

Dimensions (mm)

A Height total ~	1050
B Upper comb edge ~	998
C Bin depth ~	734
D Width total ~	583
E Wheel diameter ~	200

Weights

Tubular axle	
Nominal volume (L)	240
Empty weight (kg) ~	10,2
Max. filling weight (kg) ~	96
Max. total weight (kg) ~	110

Dimensions may vary due to production conditions. The specified empty weights are rounded average based on the standard specifications. The actual weight may be different as a result of production conditions and specifications.

Citybac® 240L

PRODUCT DETAILS

COLOURING

Bin bodies made from 100 % recycled material with a minimum of 60 % post-consumer recycled material.



Perfectly set in scene with coloured **lids** for fraction identification



GREY
RAL
7021
AT



GREEN
RAL
6011
VJ



BROWN
RAL
8025
MR



BLUE
RAL
5023
BN



YELLOW
RAL
1018
JA



RED
RAL
3001
RN

ALTERNATIVE COLOURS FOR THE BIN BODY



GREEN
RAL
6011
VJ

ECO FRIENDLY



BROWN
RAL
8025
MR

ECO FRIENDLY



BLUE
RAL
5023
BN

ECO FRIENDLY



YELLOW
RAL
1018
JA

ECO FRIENDLY



FRACTION MARKING



Clip available in the colours



Label for Clip Lid, individual printing possible

LID SLOT SYSTEMS

Glass



Round slot with rubber rosette
Ø 150 mm

Paper



Opening Slots above
300 x 60 mm



Paper Inlet Hood
BLUE

NOISE REDUCTION SYSTEMS



Lid Opening Noise Reduction



Lid closing damper

WHEELS



Ø 200 mm Wheel

LOCKING SYSTEMS



Triangular Locks



Padlock Fixtures



Cylinder lock with automatic function



Cylinder lock without automatic function

sulo.com

DATA-PRODUCTNAME-1-0-301121

SULO[®]