

CITYSPOT®

HUBLO 4 M³



SULO®

THE EVOLUTION OF SORTING

Hublo 4 m³



- DISABILITY ACCESS
- VERTICAL
- 100% MADE OF RECYCLED LLDPE
- LEVEL MEASUREMENT

The reworked 4 m³ version for outstanding ease of use convinces with the improvement of the inside structure and the insert design, which makes sorting of all types of waste and above all emptying much easier.

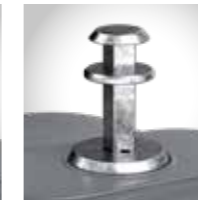
- Inside structure optimized for maximal use of the volume
- Thanks to Kinshofer Flex with no rotation system and the new inner structure the whole corpus is available, because there is no central profile, which occupies space and complicates the slipping through of object
- The new spaciousness suits the demands of contemporary customers, who due to e-commerce development generate more household waste like cardboards and packaging
- Improved modular insert design for all common types of waste



LIFTING DEVICES



Single Hook



Kinshofer

SLOT SYSTEMS



Glass
Green
RAL 6010-6032



Packaging
Zink Yellow
RAL 1018



Paper
Sky Blue
RAL 5015



Residual Waste
Iron Grey
RAL 7011



Extended sorting instructions
Zink Yellow
RAL 1018



Cardboard
Distant Blue
RAL 5023



Big user Flap

COLOURS*



English Green
Pantone 5535 C



Ash Green
Pantone Q752-3-2



Chromic Oxide Green
RAL 6020



Flint Grey
Pantone Q710-3-2



Pearl Grey
Pantone Grey 6 C



Dark Grey
Pantone Grey 11 C



Charcoal Grey
Pantone Q728-1-2



Walnut Brown
Pantone Q710-1-2

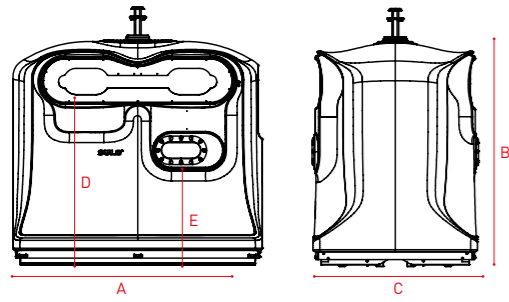


Chocolate Brow
RAL 8019



Navy Blue
Pantone 296 C

TECHNICAL SPECIFICATIONS



Hublo 4 m³

Dimensions ~ (mm)*		Volumes*	
A Width	2178	Useful Volumes ~ (m ³)	3,90
B Height	1970	Unloaded weight (kg)	235
C Depth	1438	Maximum weight (kg)	1810
D Height from the ground	1460 -1560	Space requirements (m ²)	3,15
E Height for reduced mobility	900		

GRIP



Kinshoffer Flex with no rotation system + new inner structure

PERSONALISATION



Sorting Out Instruction (example)



Slot Systems

Sorting of all types of waste, new spaciousness suits the demands of contemporary customers, who due to e-commerce development generate more household waste like cardboards and packaging



Kinshoffer Flex

We maximise the space in the bank, to prevent carton jam and avoid the structure to be at the center of the bank.



Circular Eco

Means the bank is 100 % made of recycled material (e.g. kajaks, street furniture, tanks)

* data for product with kinshofer

HUBLO

4 m³

TECHNICAL SPECIFICATIONS

Dimensions	Single Hook Depth: 1600 mm, Width: 2178 mm, Height: 2215 mm
	Kinshofer Depth: 1438 mm, Width: 2178 mm, Height: 2215 mm
Height of holes from the ground	1460-1550
Height of the openings for reduced mobility from the ground	900
Useful volumes	3,90 m ³
Unloaded weight	Single Hook: 225 kg, Kinshofer: 235 kg
Maximum weight	1810 kg
Lifting device	Single Hook, Kinshofer, on demand = double hook
Flap opening volume	Single Hook simple flap: 145 litres
	Kinshofer double flap: 176 litres

INSTALLATION

Space requirements	3,15 m ²
Transport	Truck: 8 with single hook or 9 with kinshofer and double hook depending on unloading facilities on site (8 only if tailgate)

HANDLING, COMFORT AND FLEXIBILITY

Compactor	-
Reduce mobility	■
Pedal	-
Sound-proofing	Option: Glass soundproofing

EMPTYING

Number of operators	1
Duration of emptying	1-2 min
Cost of emptying	€
Emptying system according prehension grip	Single flap, double flap, vertical

HUBLO

4 m³

SERVICE

Pay as you throw billing	-
Access control	-
Level measurement	■
FRACTIONS	
Regular waste RAL 7011	EPDM bib 600 x 300 mm strips
Paper RAL 5015	490 x 110 mm
Packaging RAL 1018	400 x 230 mm
Cardboard RAL 5023	EPDM flap 1400 x 100 mm
Glass RAL 6010-6032	EPDM flap - Ø 200 mm hole
Extended sorting instructions RAL 1018	EPDM flap 1400 x 230 mm
Big user flap	Internal dimensions: 426 x 355 mm, External dimensions: 476 x 430 mm
STANDARDS	
	NF EN 13071

■ Standard
 ■ Option

sulo.com

DATA-CITYSPOT-HUBLO-4000-EN-1-1-150322

SULO®