

PRE-SORTING BIN

MODULOBAC 35L / 50L



SULO®

Small bins, large solutions
MODULOBAC 35L / 50L



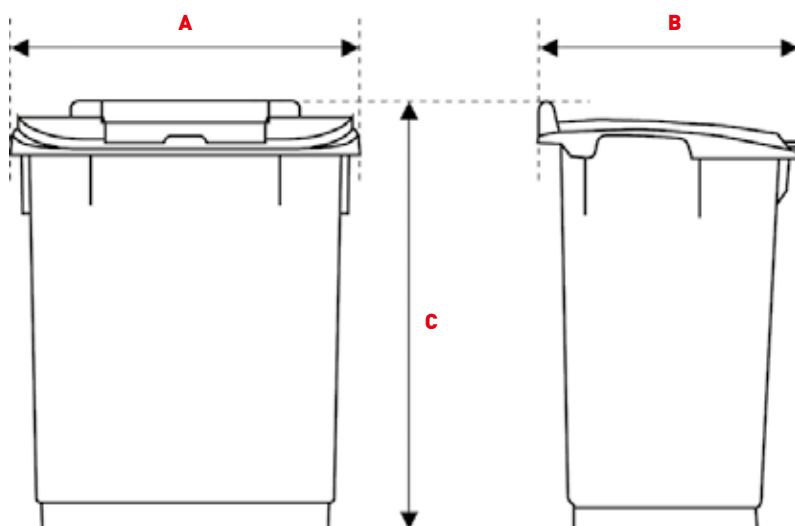
35L

The approved pre-separation series to collect, store and sort waste in the kitchen and in CITYBAC bins

- Modulobac presorting-bins are widely used and well received
- Volumes of 35 l have been designed to be integrated into CITYBAC bins of different sizes and can be used in the kitchen as well
- Modulobac supports a modular and variable storage and sorting of waste
- Easy to handle thanks to a comfortable carry handle
- A metal handle is available as an optional extra
- Due to its size it is easy to locate and has a hermetic lid that limits the propagation of odours
- Easy to clean due to smooth surfaces and rounded internal corners



50L



Dimensions 35L

A	Total height in mm ~	495
B	Total width in mm ~	425
C	Depth in mm ~	305
	Weight in kg ~	2,2

Dimensions 50L

A	Total height in mm ~	554
B	Total width in mm ~	490
C	Depth in mm ~	420
	Weight in kg ~	3,5

COLOURS

Body

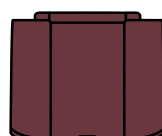
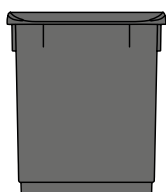
Grey
RAL 7024

Lid

Blue
RAL 5011

Green
RAL 6009

Red
RAL 3005



sulo.com

DATA-PRESORTINGBIN-MODULOBAC-EN-1-0-110122

SULO[®]