

PRE-SORTING BIN

ROLLBOX 45L



SULO®

A rolling pleasure

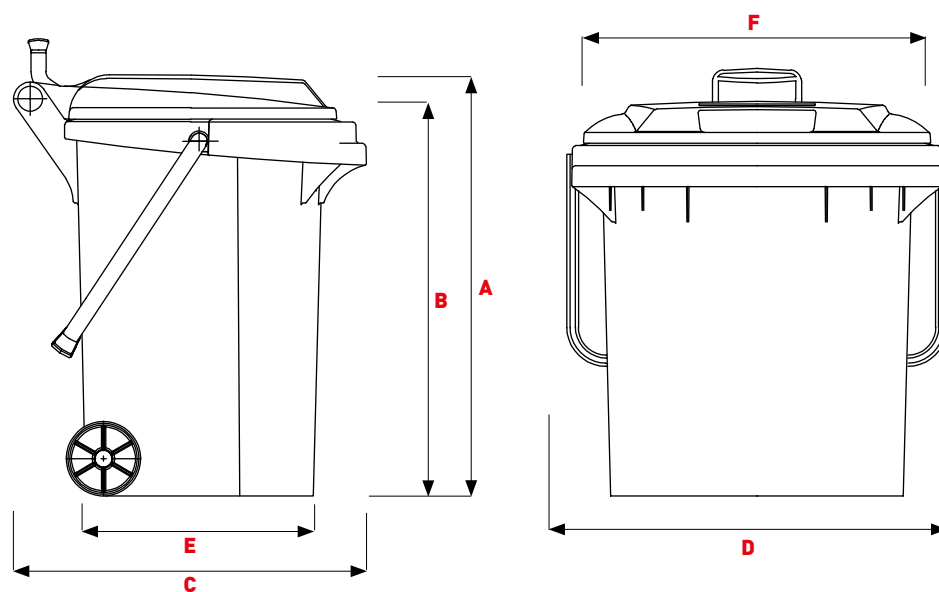
ROLLBOX 45L



The comfortable trolley waste bin, that can be pulled like a suitcase

- A leading and very popular product in the SULO bin range
- Can easily and safely be manoeuvred and pulled like a trolley
- Easy to handle thanks to a comfortable carrying handle, that can be snapped into three positions
- Handle for pushing and pulling is extracable
- With double angle din comb suitable for all DIN lifting equipment
- Fitted as standard with chip nest in accordance with RAL GZ 951/1
- Compatible with all identification and weighing systems
- Easy to clean due to smooth surfaces and rounded internal corners
- Resistant to decay, frost, heat and many chemicals
- Special UV-stabilisation provides excellent ageing characteristics





Dimensions

A	Total height in mm ~	554
B	Height in mm ~	454
C	Bin depth in mm ~	427
D	Total width in mm ~	493
E	Total depth in mm ~	379
F	Lid width in mm ~	410

COLOURS

Grey
RAL 7021

Green
RAL 6011

Brown
RAL 8025



sulo.com

DATA-PRESORTINGBIN-ROLLBOX-45L-EN-1-0-110122

SULO[®]