

# PRE-SORTING BIN

## SME 35L / 50L



**SULO®**

Quality with a long tradition

## SME 35L / 50L

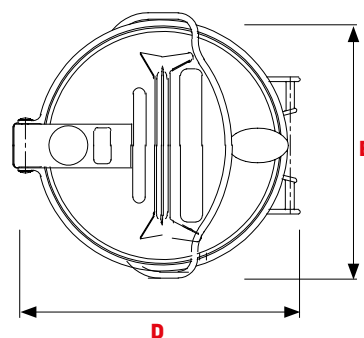
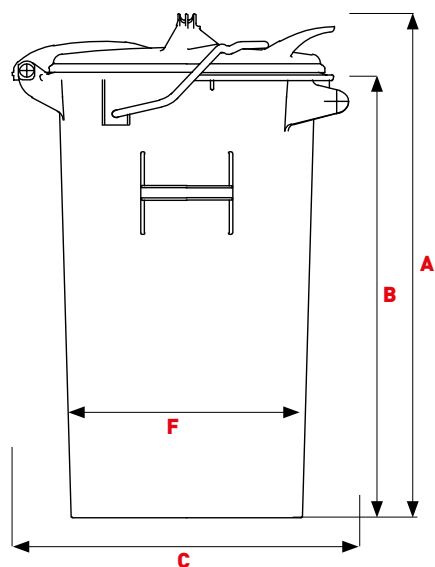


### The classic „ash bin“ retro design favourite

This popular presorting bin is a convincing solution for inhouse and outdoor tasks, deriving its shape directly from the traditional „ash bin“ made of steel.

- The charming way to collect waste of all sorts directly, where it is produced
- Resistant to decay, frost, heat and many chemicals
- Special UV-stabilisation provides excellent ageing characteristics
- Easy to clean due to smooth surfaces and rounded internal corners
- Metal components are corrosion resistant





### Dimensions 35L

<b>A</b>	Total height in mm ~	535
<b>B</b>	Height in mm ~	445
<b>C</b>	Bin depth in mm ~	410
<b>D</b>	Total width in mm ~	450
<b>E</b>	Lid diameter in mm ~	387
<b>F</b>	Bin diameter in mm ~	305

### Dimensions 50L

<b>A</b>	Total height in mm ~	725
<b>B</b>	Height in mm ~	650
<b>C</b>	Bin depth in mm ~	450
<b>D</b>	Total width in mm ~	450
<b>E</b>	Lid diameter in mm ~	387
<b>F</b>	Bin diameter in mm ~	305

## COLOURS

Grey  
RAL 7021

Green  
RAL 6011

Brown  
RAL 8025



**sulo.com**

DATA-PRESORTINGBIN-SME-EN-1-0-110122

**SULO<sup>®</sup>**